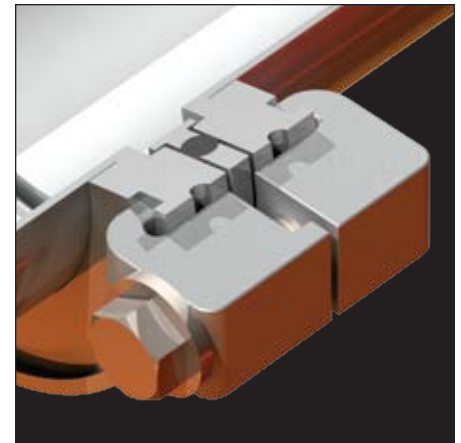


# Claw & Bolt — ISO Flange Accessories



Hardware 63—500mm	HW ISO Flange Mounting Hardware			
	ISO	Inch	Description	Part No.
<b>Centering Ring</b> 	63	2-1/2	Gasket / Inner, Outer Rings	ISOHW-63-01
	80	3	Gasket / Inner, Outer Rings	ISOHW-80-01
	100	4	Gasket / Inner, Outer Rings	ISOHW-100-01
	160	6	Gasket / Inner, Outer Rings	ISOHW-160-01
	200	8	Gasket / Inner, Outer Rings	ISOHW-200-01
	250	10	Gasket / Inner, Outer Rings	ISOHW-250-01
	320	12-3/4	Gasket / Inner, Outer Rings	ISOHW-320-01
	400	16	Gasket / Inner, Outer Rings	ISOHW-400-01
	500	20	Gasket / Inner, Outer Rings	ISOHW-500-01
<b>Double-Claw<sup>1</sup></b> 	63	2-1/2	Claws / Bolt / Washer	ISOHW-63-02
	80	3	Claws / Bolt / Washer	ISOHW-63-02
	100	4	Claws / Bolt / Washer	ISOHW-63-02
	160	6	Claws / Bolt / Washer	ISOHW-160-02
	200	8	Claws / Bolt / Washer	ISOHW-160-02
	250	10	Claws / Bolt / Washer	ISOHW-160-02
	320	12-3/4	Claws / Bolt / Washer	ISOHW-320-02
	400	16	Claws / Bolt / Washer	ISOHW-320-02
	500	20	Claws / Bolt / Washer	ISOHW-320-02
<b>Single-Claw<sup>1</sup></b> 	63	2-1/2	Claw / Bolt / Washers	ISOHW-63-03
	80	3	Claw / Bolt / Washers	ISOHW-63-03
	100	4	Claw / Bolt / Washers	ISOHW-63-03
	160	6	Claw / Bolt / Washers	ISOHW-160-03
	200	8	Claw / Bolt / Washers	ISOHW-160-03
	250	10	Claw / Bolt / Washers	ISOHW-160-03
	320	12-3/4	Claw / Bolt / Washers	ISOHW-320-03
	400	16	Claw / Bolt / Washers	ISOHW-320-03
	500	20	Claw / Bolt / Washers	ISOHW-320-03
<b>Bolt Kit</b> 	63	2-1/2	4 M8 / Bolt, Washer, Nut	ISOHW-63-04
	80	3	8 M8 / Bolt, Washer, Nut	ISOHW-80-04
	100	4	8 M8 / Bolt, Washer, Nut	ISOHW-80-04
	160	6	8 M10 / Bolt, Washer, Nut	ISOHW-160-04
	200	8	12 M10 / Bolt, Washer, Nut	ISOHW-200-04
	250	10	12 M10 / Bolt, Washer, Nut	ISOHW-200-04
	320	12-3/4	12 M12 / Bolt, Washer, Nut	ISOHW-320-04
	400	16	16 M12 / Bolt, Washer, Nut	ISOHW-400-04
	500	20	16 M12 / Bolt, Washer, Nut	ISOHW-400-04



Cross section of an Atlas ISO double-claw flange assembly depicting seal interface components.

Claw & Bolt ISO Aluminum Flanges

#### Notes

1. ISO 63, 80 and 100 share the same size single and double-claw hardware.

ISO 160, 200 and 250 share the same size single and double-claw hardware.

ISO 320, 400 and 500 share the same size single and double-claw hardware.