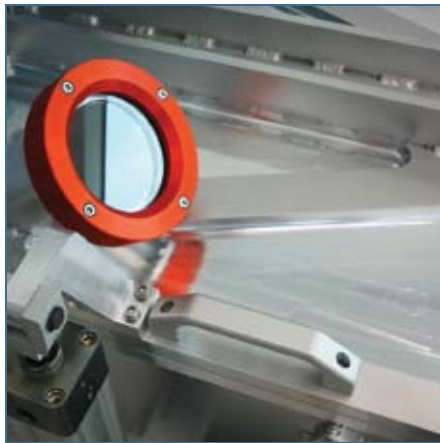
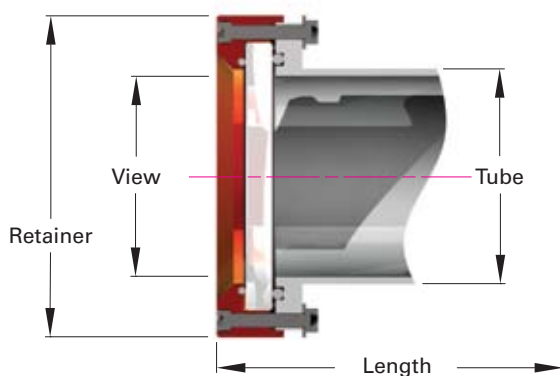


Atlas Pyrex® Glass Viewports



Close up of Atlas' demountable glass viewport

Atlas Pyrex® glass viewports are mounted on aluminum hardware and designed for welding directly into high vacuum aluminum chamber walls. Our viewports are lightweight and an economical alternative to comparable stainless steel solutions. The glass substrate is captured between two elastomer O-rings. One gasket provides a vacuum seal, while the other acts as a cushion to prevent direct glass-to-metal contact. Other standard sizes are available on request. Atlas also produces customized polycarbonate port covers of various sizes and shapes. Contact our sales department for more information.



Window Size		View		Retainer		Tube		Minimum Length
Inch	mm	Diameter	Diameter	Diameter	Diameter	Diameter	Diameter	
1	25	0.75	19	3.00	76	1.00	25	Call
2	51	1.75	44	4.00	102	2.00	51	Call
3	76	2.75	70	5.00	127	3.00	76	Call
4	102	3.75	95	6.00	152	4.00	102	Call

Viewports	VPG Atlas Pyrex® Glass Viewports	
Pyrex®	Description	Part No.
1-Inch Viewport	3/4 Inch Aperture	VPG-0100
	Glass, Replacement	VPGHW-0100-01
	Bolts, Socket Head / Package of 4	VPGHW-0100-02
	O-ring, Viton® Elastomer / Glass to Flange	VPGHW-0100-03
	O-ring Elastomer / Glass to Retainer	VPGHW-0100-04
2-Inch Viewport	1-3/4 Inch Aperture	VPG-0200
	Glass, Replacement	VPGHW-0200-01
	Bolts, Socket Head / Package of 4	VPGHW-0200-02
	O-ring, Viton® Elastomer / Glass to Flange	VPGHW-0200-03
	O-ring Elastomer / Glass to Retainer	VPGHW-0200-04
3-Inch Viewport	2-3/4 Inch Aperture	VPG-0300
	Glass, Replacement	VPGHW-0300-01
	Bolts, Socket Head / Package of 4	VPGHW-0300-02
	O-ring, Viton® Elastomer / Glass to Flange	VPGHW-0300-03
	O-ring Elastomer / Glass to Retainer	VPGHW-0300-04
4-Inch Viewport	3-3/4 Inch Aperture	VPG-0400
	Glass, Replacement	VPGHW-0400-01
	Bolts, Socket Head / Package of 4	VPGHW-0400-02
	O-ring, Viton® Elastomer / Glass to Flange	VPGHW-0400-03
	O-ring Elastomer / Glass to Retainer	VPGHW-0400-04

Atlas Glass Viewports

